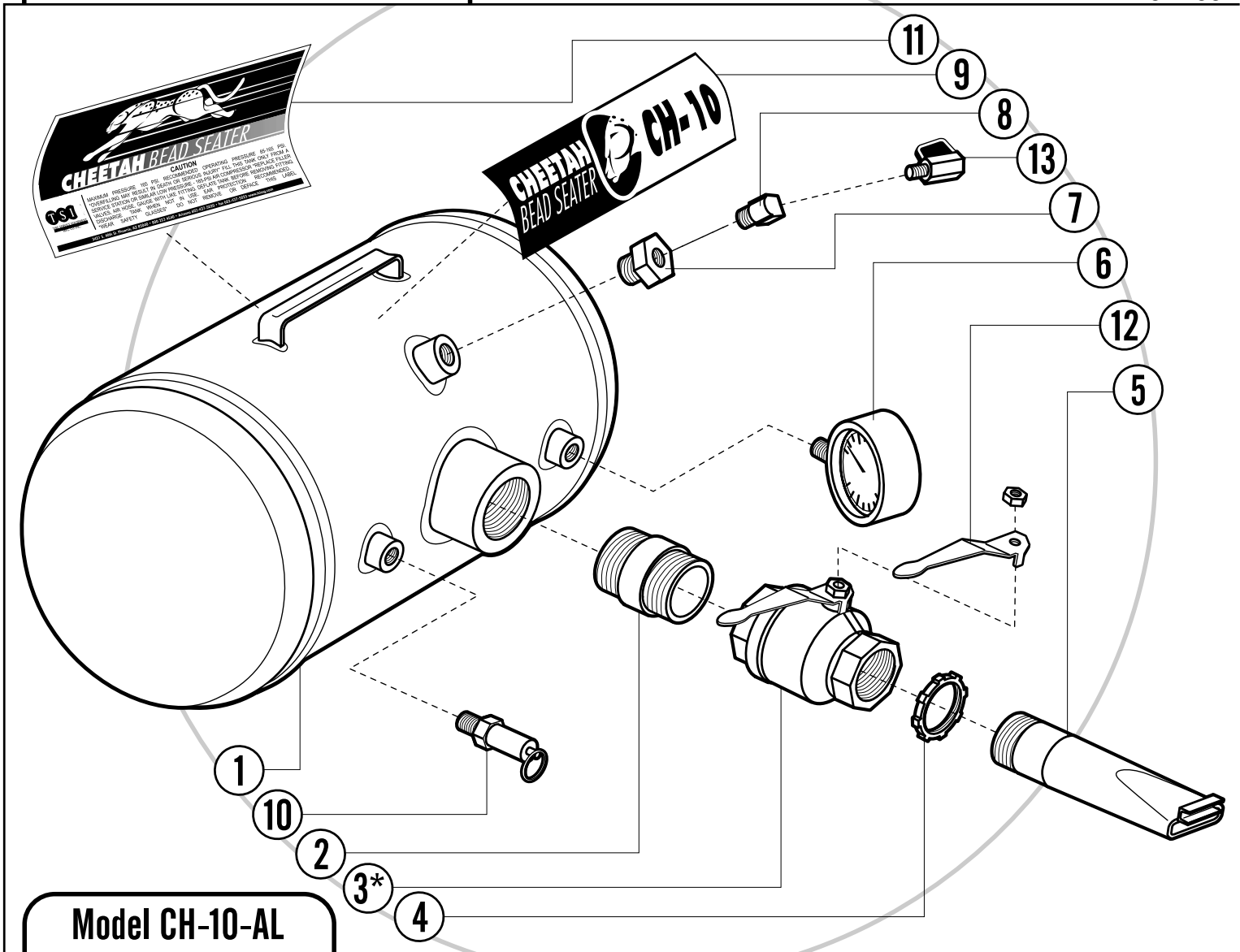


CHEETAH BEAD SEATING TOOL

07.2001



Repair Parts & Prices

No.	Description	Part No.	No.	Description	Part No.
1.	Airtank	03.101AL	8.	90° NPT	03.104
2.	Pipe Nipple	02.104	9.	Decal (Small)	01.113
3.*	Discharge Valve	03.102	10.	Safety Release Valve	05.102
4.	Lock Nut	03.107	11.	Decal (Large)	01.112
5.	Threaded Barrel	03.103	12.	Handle & Nut Only (Specify Color)	01.230
6.	200 psi Gauge	01.106	13.	Ball Valve	04.103
7.	3/4"-1/4" Bushing	01.107	Not Shown	Magnum II Barrel (Optional Accessory)	03.106

*Includes Handle

Order parts from your distributor or jobber. When ordering parts always give the following information: *Part Number, Description and Serial Number of Your Machine.*

REMINDER: Always exercise caution when using compressed air.

3451 South 40th Street · Phoenix, Arizona 85040 · toll free 800.223.4540 · Arizona 602.437.5020 · fax 602.437.5025



TIRE SERVICE EQUIPMENT
MFG. CO. INC.