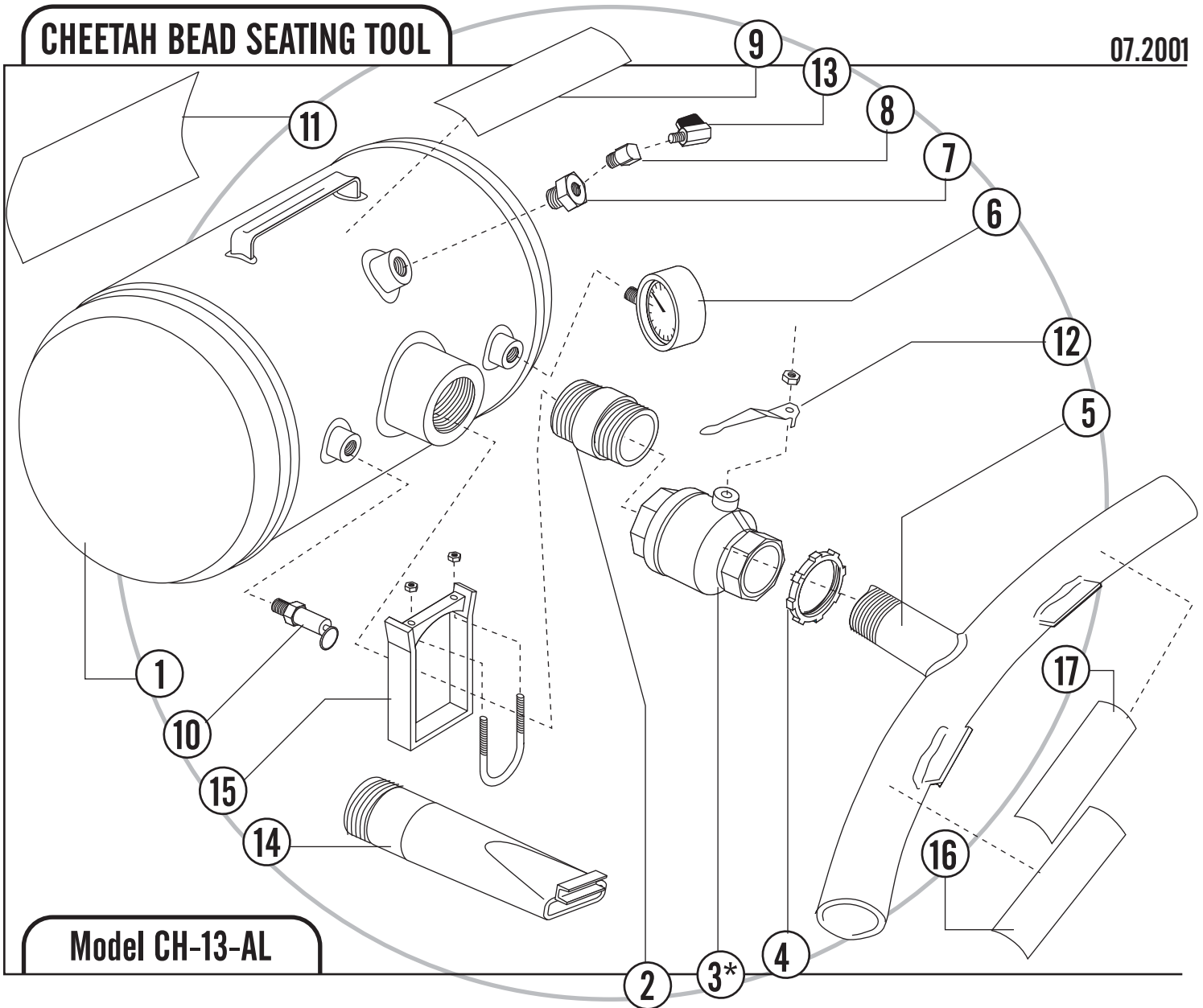


# CHEETAH BEAD SEATING TOOL

07.2001



**Model CH-13-AL**

## Repair Parts & Prices

No.	Qty	Description	Part No.	No.	Qty.	Description	Part No.
1.	1	Airtank	04.101AL	10.	1	Safety Release Valve	05.102
2.	1	Pipe Nipple	02.104	11.	1	Decal (Large)	01.112
3.*	1	Discharge Valve	03.102	12.	1	Handle & Nut Only (Specify Color)	01.230
4.	1	Lock Nut	03.107	13.	1	Ball Valve	04.103
5.	1	Magnum 2 Barrel	03.106	14.	1	Threaded Barrel	03.103
6.	1	200 psi Gauge	01.106	15.	1	Support Handle	05.107
7.	1	3/4"-1/4" Bushing	01.107	16.	1	Magnum Decal (Title)	01.116
8.	1	90° NPT	03.104	17.	1	Magnum Decal (Model)	01.117
9.	1	Decal (Small)	01.115				

\*Includes Handle

Order parts from your distributor or jobber. When ordering parts always give the following information: Part Number, Description and Serial Number of Your Machine.

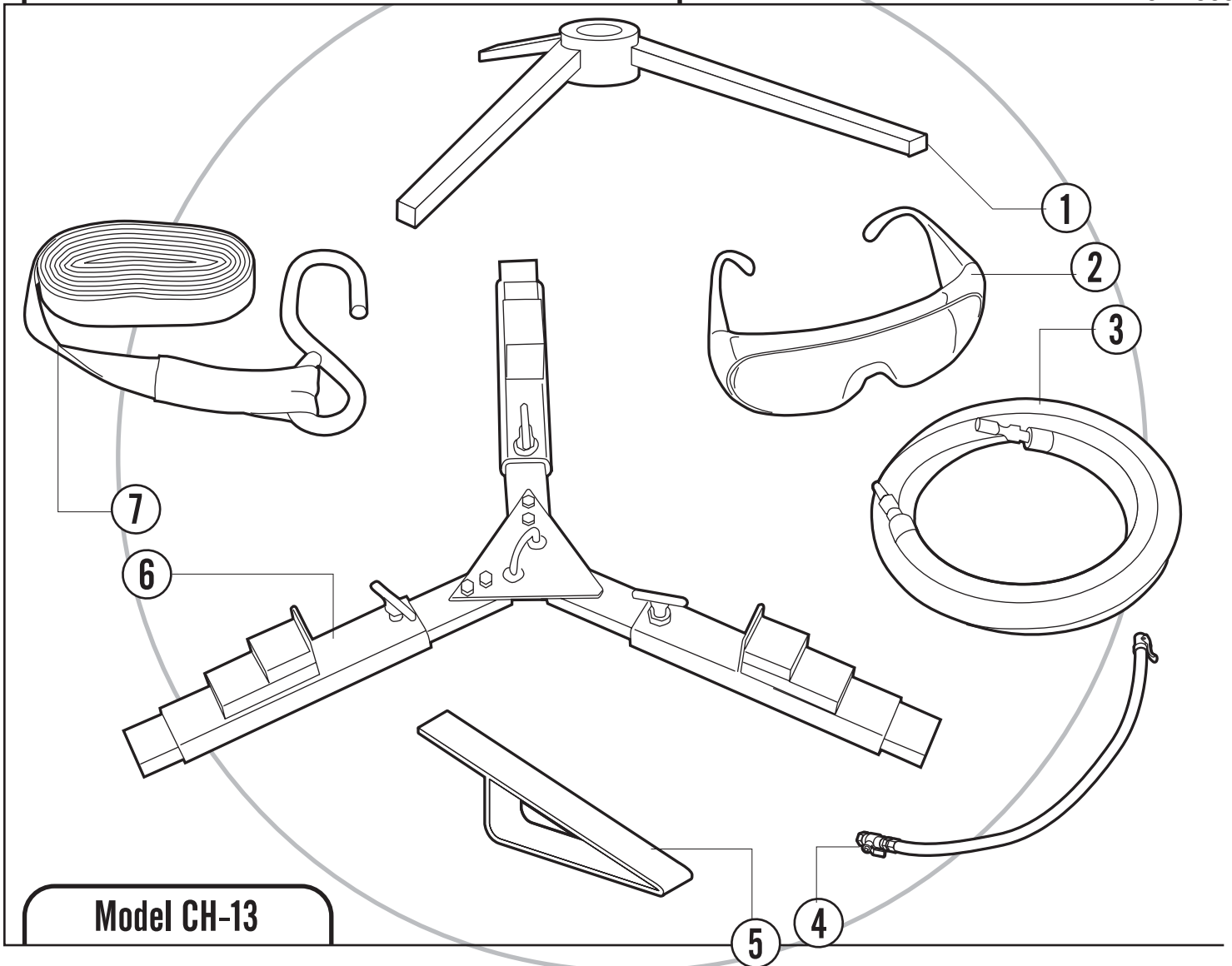
REMINDER: Always exercise caution when using compressed air.



3451 South 40th Street · Phoenix, Arizona 85040 · toll free 800.223.4540 · Arizona 602.437.5020 · fax 602.437.5025

# CHEETAH BEAD SEATING TOOL -ACCESSORIES

04.2000



**Model CH-13**

## Repair Parts & Prices

No.	Qty	Description	Part Number
1.	1	Universal Truck Stand	1.111
2.	1	Safety Goggles	05.105
3.*	1	10' .5" Diameter Air Hose	05.104
4.	1	Whip Hose	01.109
5.	4	Tire Wedge	05.103
6.	1	Tractor Stand	5.106
7.	2	Tie Down Straps	5.109

Order parts from your distributor or jobber. When ordering parts always give the following information: *Part Number, Description and Serial Number of Your Machine.*

