

## SECTION 3. PARTS

### 3-1. GENERAL

This section contains the parts drawings and parts lists for the IMT 200HP Air/Hydraulic Pump.

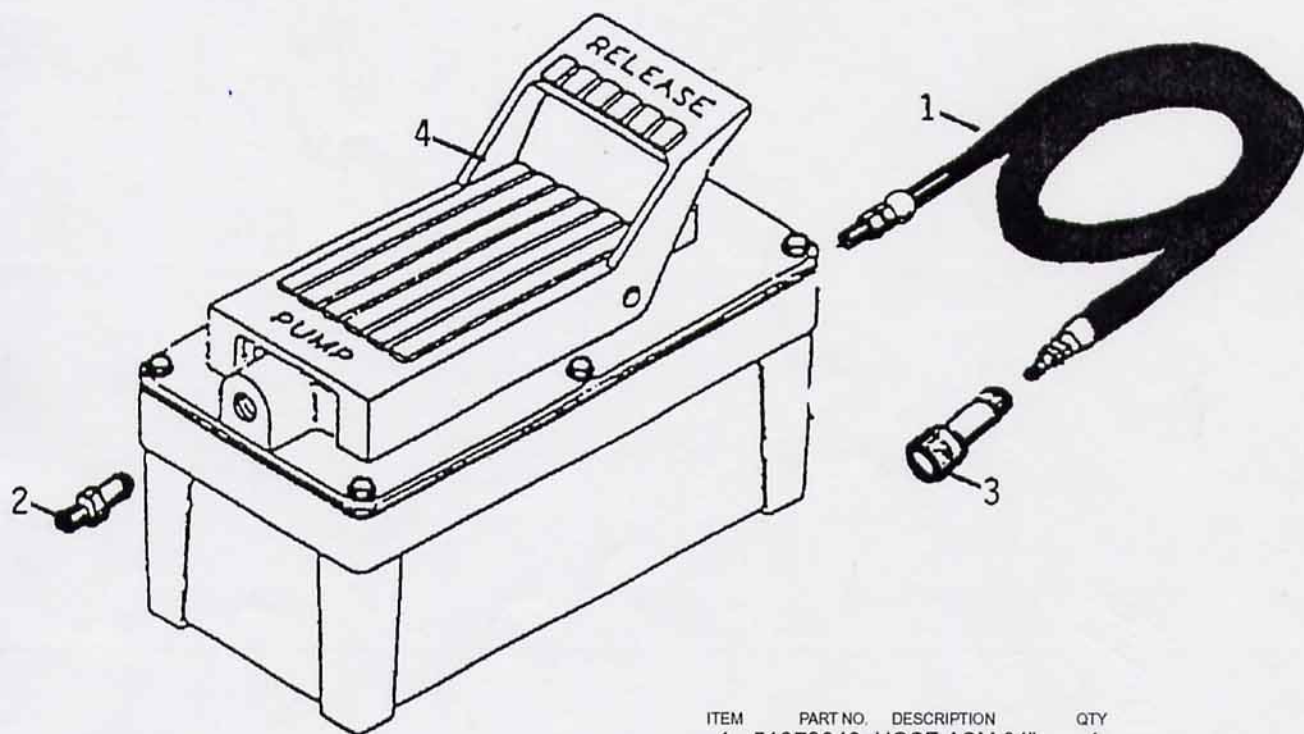
Myers Number  
50906

### 3-2. ORDERING REPAIR PARTS

To order parts:

1. Give the model number.
2. Give the serial number located on the side of the pump.
3. Give the part number, description and quantity required.

Place your order with Iowa Mold Tooling Co., Inc., Box 189, Garner, IA 50438, telephone 641-923-3711, Fax 641-923-2424; or your nearest distributor.



ITEM	PART NO.	DESCRIPTION	QTY
1.	51073049	HOSE ASM 84"	1
2.	72532047	DISCONNECT NIPPLE 1/4MPT-AIR	1
3.	72532281	DISCONNECT COUPLER 1/4FPT	1
4.	73051460	PUMP - AIR/HYD 5-QT (SEE DWG)	1
5.	99900120	MANUAL-200 AIR/HYD PUMP	1

FIGURE C-1. PUMP ASSEMBLY W/HOSE (51705747)

ITEM	PART NO.	DESCRIPTION	QTY	COMMENTS
1.	70141439	CHECK VALVE BODY .....	1	
2.	7Q072218	O-RING .....	1	*
3.	72060702	CAP SCR 1/4-20X3/8 SH .....	1	TORQUE TO 90 - 100 IN-LBS.
4.	70024221	WASHER 1/4X3/8X.03 COPPER .....	1	*
5.	70141141	SPRING .....	1	*
6.	72066438	BALL 9/32 DIA .....	1	
7.	73054282	RELIEF VALVE 10,000 PSI .....	1	
8.	70141438	PUMP BODY .....	1	
9.	72066437	BALL 1/4 DIA .....	1	*
10.	70024222	WASHER-COPPER .....	1	*
11.	70142929	FILTER ADAPTER-SHORT .....	1	TORQUE TO 40 - 50 FT-LBS (OILED).
12.	70048097	FILTER ASM .....	1	
13.	70141136	PISTON .....	1	
14.	70024215	WASHER-COPPER .....	1	*
15.	70142928	CYLINDER .....	1	TORQUE TO 90 - 100 FT-LBS (OILED).
16.	76391235	U-CUP .....	1	*
17.	72062184	RETAINER NUT .....	1	* TORQUE TO 80 - 100 IN-LBS, MILD HEAT MAY BE NEEDED TO REMOVE, REINSTALL WITH LOCTITE® #277
20.	70141441	SPRING .....	1	
21.	70142927	SPRING GUIDE .....	1	
22.	70141442	SPRING .....	1	*
23.	7Q072115	O-RING .....	1	*
24.	70029505	PISTON BODY .....	1	
25.	7T66G027	PISTON RING .....	2	*
26.	76391344	GASKET .....	1	
27.	70142358	REAR HEAD .....	1	
28.	72063047	WASHER #10 LOCK .....	3	
29.	72060680	CAP SCR #10-24X1/2 SH .....	3	TORQUE TO 50 - 55 IN-LBS, REINSTALL USING LOCTITE®.
30.	70141432	END PLATE-PISTON .....	1	
31.	76039495	PISTON POPPET .....	1	*
32.	70142926	EXHAUST VALVE STEM .....	1	
33.	7Q072141	O-RING .....	2	*
34.	70141435	SPRING .....	1	*
35.	7Q072210	O-RING .....	2	*
36.	72060656	CAP SCR #8-32X1/4 SH .....	1	
37.	70141434	SEAL GUIDE .....	1	
38.	70141291	AIR VALVE POPPET .....	1	*
39.	7Q072011	O-RING .....	1	*
40.	70141433	ACTUATOR BUTTON .....	1	*
41.	76391349	GASKET .....	1	*
42.	70141421	MUFFLER .....	1	
43.	76391348	GASKET .....	1	*
44.	70141428	RELEASE VALVE BUTTON .....	1	
45.	7Q072010	O-RING .....	1	*
46.	70141437	SPRING .....	1	*
47.	7Q072010	O-RING .....	2	*
48.	70141284	POPPET RETAINER .....	1	
49.	70141285	RELEASE VALVE POPPET .....	1	
50.	72066432	BALL 3/32 DIA .....	1	*
51.	70142925	BALL RETAINER .....	1	
52.	70141427	SPRING .....	1	*
53.	7Q072012	O-RING .....	1	*
54.	70141085	DOWEL PIN 1/16X5/8 .....	1	*
55.	76392468	RESERVOIR GASKET .....	1	*
56.	76392110	GASKET-RUBBER .....	1	*
57.	70034266	RESERVOIR 5-QT PLASTIC .....	1	
58.	72063162	WASHER .....	1	
59.	76391345	BACK-UP RING .....	2	
60.	70141424	AIR CYLINDER .....	1	LOCATE GROOVE TOWARD TOP NEAR COVER PLATE.
61.	72060685	CAP SCR #10-24X1-1/4 SH .....	4	TORQUE TO 50 - 60 IN-LBS.
62.	72532689	FILLER PLUG .....	1	
63.	70142924	COVER PLATE .....	1	
64.	70141422	PIN .....	1	
65.	72066556	RETAINING RING .....	2	
66.	70142923	RELEASE VALVE BODY .....	1	
67.	73029148	FOOT PEDAL .....	1	
68.	70141086	INTAKE AIR VALVE BODY .....	1	
69.	72601409	SCR #10X1 HWH SLFTPG .....	12	TORQUE TO 25 - 30 IN-LBS.
70.	72060727	CAP SCR 1/4-20X4 SH .....	4	TORQUE TO 85 - 95 IN-LBS (OILED). CROSS TORQUE IN 30 IN-LB INCREMENTS.
72.	76391347	FOAM TUBE 3" .....	1	
76.	70142359	SPRING .....	1	
77.	72601273	CAP SCR .....	1	TORQUE TO 12 - 18 IN-LBS.
78.	72601274	SCREW .....	1	
80.	76391654	FOAM TUBE .....	1	
81.	72532688	RELIEF VALVE FITTING .....	1	TORQUE TO 75 - 80 IN-LBS.
82.	70142357	SPRING CLIP .....	1	
83.	72063131	WASHER .....	2	
84.	72060687	CAP SCR #10-24X1-3/4 SH .....	2	TORQUE TO 50 - 60 IN-LBS.
85.	70392467	DECAL - MODEL NO. .....	1	
86.	76392469	REPAIR KIT (INCLUDES ITEMS W/*) ..	1	

SEE FOLLOWING PAGE FOR DRAWING

FIGURE C-2. AIR/HYDRAULIC PUMP (73051460)

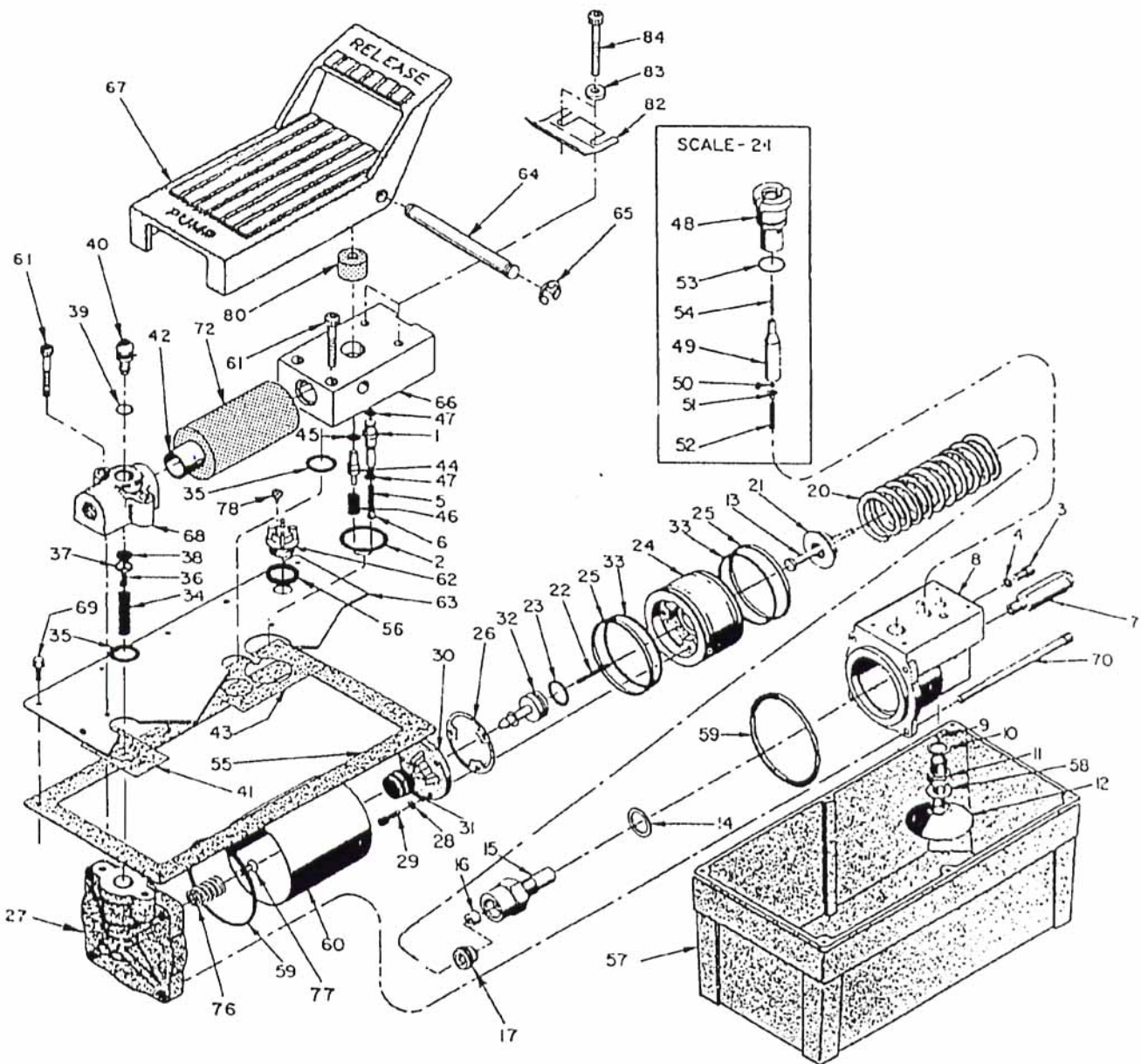


FIGURE C-2A. AIR/HYDRAULIC PUMP (73051460)